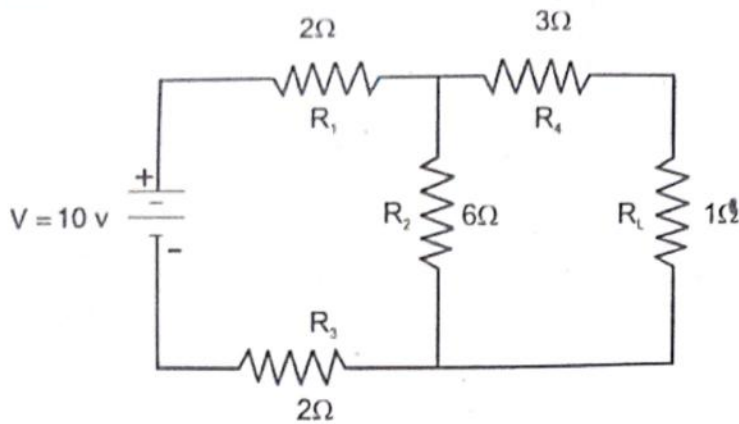


Part - D

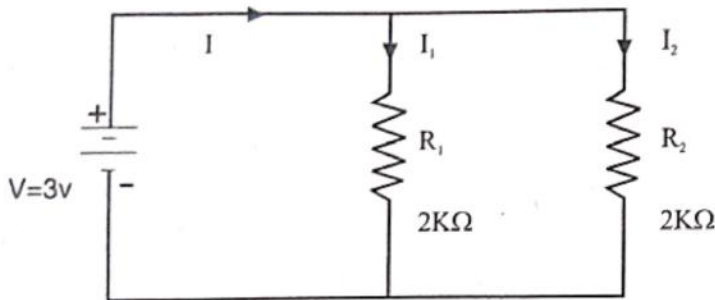
3x5=15

I. Answer any THREE questions

27. Using Thevenin's theorem, find the current through the 1Ω resistor, for the circuit shown below.



28. Find the current flowing through the circuit, also find the branch currents.



29. A half wave rectifier uses a diode with a forward resistance of 50Ω . If the input ac voltage is $200V_{rms}$ and the load resistance of $1K\Omega$. Determine i) I_m ii) I_{DC} iii) I_{rms} iv) PIV and v) δ

30. Subtract 101_2 from 1101_2 using 2's Complement method.

31. Simplify $Y=AB+A(\overline{B+C})$

II. Answer any FOUR questions

4x5=20

32. Write a note on AC generation .

33. Explain color coding method of evaluating, value of resistor with one example.

34. Distinguish between speaker and microphone.

35. Explain the working of sheet capacitor filter.

36. Explain positive diode clipper with input and output waveforms.

37. With neat circuit diagram describe the working of DTL NOR gate.
